

TekSpan® Beam Connector Clamp

Product Code: R952-070 / R952-075

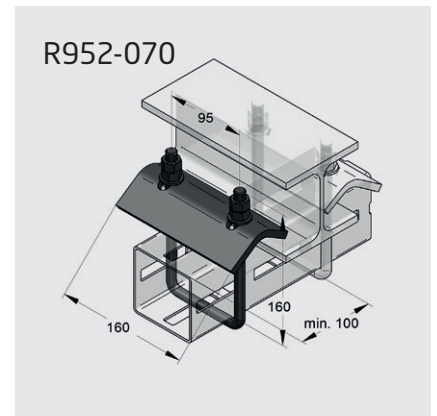
Description

TekSpan® Beam Connector Clamp for 80mm & 100mm Profile.

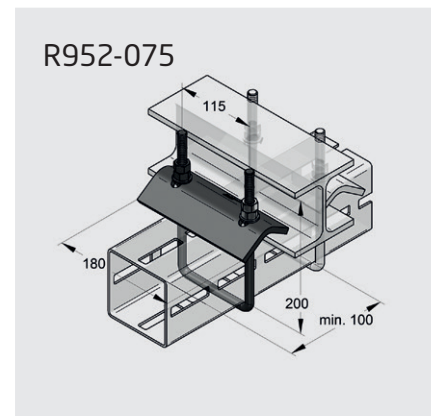
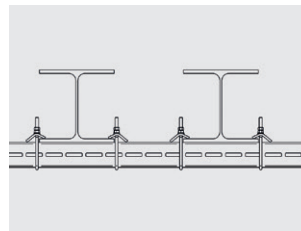
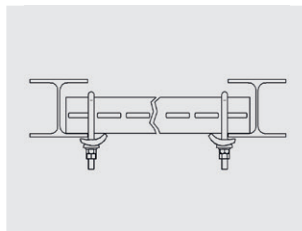
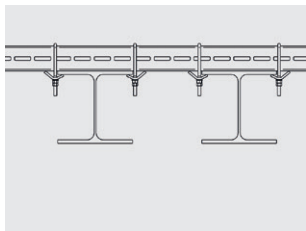
Beam connector clamp, for securing TekSpan® profiles to I-beams and girders.

Technical Details

Product Code	R952-070	R952-075
Pack Qty	1	1
Weight	1.30kg/pc	1.49kg/pc
Material	Steel S235	Steel S235
Profile type	80mm	100mm
Load Fx	3kN	3kN
Load Fy	3kN	3kN
Load Fz	10kN	10kN
Thread	M12	M12
Max clamping thickness	25mm	25mm
Tightening torque	25Nm	25Nm



Configurations



Certifications

