

## TekSpan® Connector Set

Product Code: R954-150

### Description

TekSpan® Connector Set

Two piece in-line jointing set for all TekSpan® frame profile sizes.

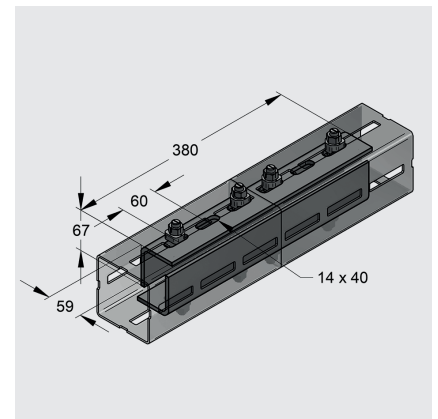
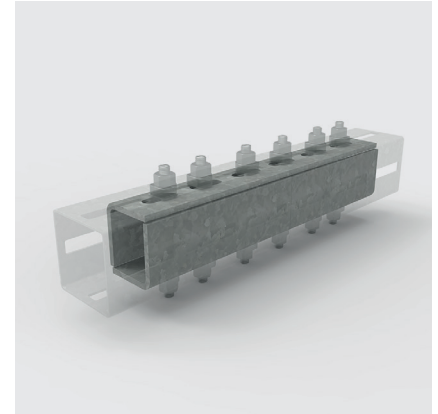
### Pack Contains

2x Steel Profile Connectors

8x T-Lock Bolts

### Technical Details

|   |              |
|---|--------------|
| Pack Qty  | 1            |
| Weight  | 5.28kg/pc    |
| Material  | Steel S235   |
| Finish Steel Profiles                                     | HDG          |
| Finish Bolts  | Zinc-Nickel  |
| Profile type  | 80mm / 100mm |
| Width   | 67mm         |
| Height  | 59mm         |
| Length  | 380mm        |
| Tightening torque   | 120Nm        |
| Slot size   | 14x40mm      |
| Limited torque 80mm profile at screw position top/bottom  | 1.25kNm      |
| Limited torque 80mm profile at screw position left/right  | 0.85kNm      |
| Limited torque 100mm profile at screw position top/bottom | 2.50kNm      |
| Limited torque 100mm profile at screw position left/right | 1.35kNm      |



### Certifications

