

TekSpan® Thread Connector

Product Code: R952-060 / R952-065

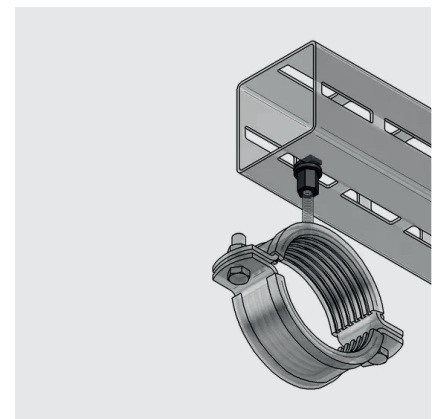
Description

Frame to threaded rod connector with female thread socket.

For direct fixing of M10 and M12 rods and suspension of threaded fasteners.

Technical Details

Product Code	R952-060	R952-065
Pack Qty	50	50
Weight	0.0714kg/pc	0.0694kg/pc
Material	Steel	Steel
Finish	Zinc-Nickel	Zinc-Nickel
Profile types	80mm / 100mm	80mm / 100mm
Thread	M10	M12
Wrench size	17	17
Height collar nut	25mm	25mm
Tightening torque	25Nm	25Nm
Load Fz	3kN	3kN



Certifications

