

## TekSpan® Fixpoint Bracket

Product Code: R954-175

### Description

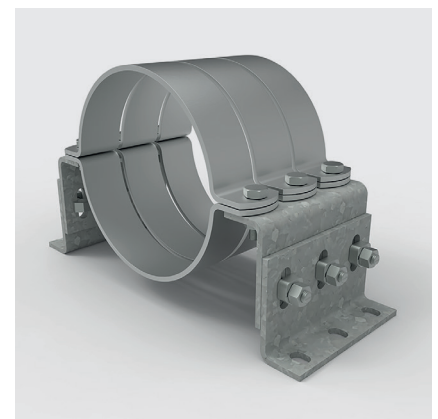
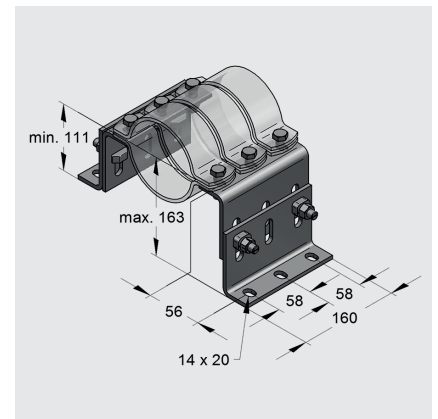
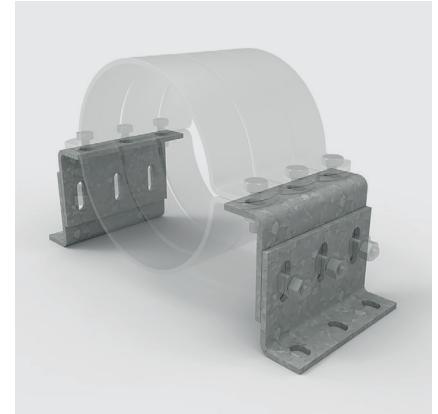
Height-adjustable bracket for fixing pipes without insulation.  
To be used as a fixed point in conjunction with pipe clamp (not included).

### Pack Contains

- 2x Angle (foot)
- 2x Angle (side)
- 4x T-Lock Bolts
- 6x Hex bolts and nuts

### Technical Details

|                               |             |
|-------------------------------|-------------|
| Pack Qty                      | 1           |
| Weight                        | 4.74kg/pc   |
| Material                      | Steel S235  |
| Finish                        | HDG         |
| Tightening torque T-Lock head | 120Nm       |
| Tightening torque pipe clamp  | 60Nm        |
| Min outside pipe diameter     | 64mm        |
| Max outside pipe diameter     | 273mm       |
| Length                        | 160mm       |
| Load Fy                       | 30kN        |
| Load Fx                       | 18kN        |
| Number of pipe clamps         | 3           |
| Min axis height               | 111mm       |
| Max axis height               | 163mm       |
| Dimension angle stilt         | 160x100x6mm |
| Dimension side part           | 160x100x6mm |



### Certifications

