

## TekSpan® 100x100mm Profile 6 Metre

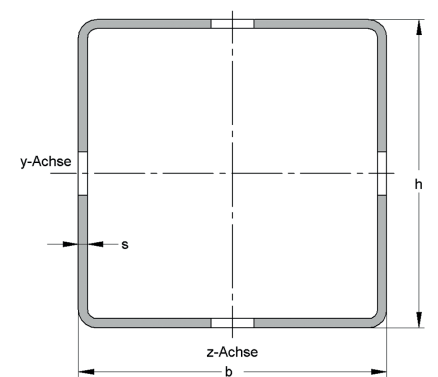
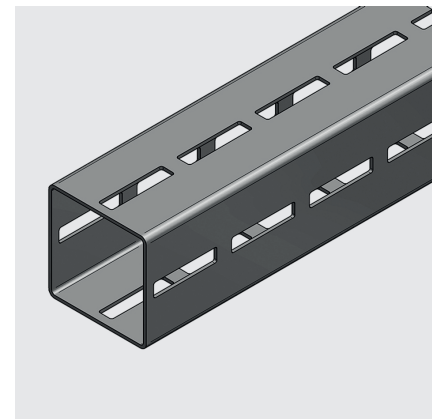
Product Code: R950-807

### Description

TekSpan® 100mm x 100mm x 6m profile.

### Technical Details

Pack Qty	1
Weight	8.46kg/m
Material	Steel S275
Finish	HDG
Width	100mm
Height	100mm
Thickness	3mm
Length	6m
Slot size	14x65mm
Area (least cross section of profile rail)	9.73cm <sup>2</sup>
Axial angular impulse I <sub>y</sub>	157.14cm <sup>4</sup>
Axial angular impulse I <sub>z</sub>	157.14cm <sup>4</sup>
Grid dimension	80mm
Centroid distance e <sub>o</sub>	4cm
Centroid distance e <sub>u</sub>	4cm
Centroid distance e <sub>z</sub>	4cm
Elastic limit	275N/mm <sup>2</sup>
Radius of inertia I <sub>y</sub>	4.02cm
Radius of inertia I <sub>z</sub>	4.02cm
Section modulus W <sub>y</sub>	31.43cm <sup>3</sup>
Section modulus W <sub>z</sub>	31.43cm <sup>3</sup>



### Certifications

